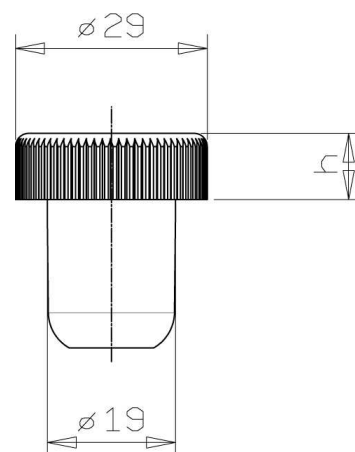




E.T.I. S.r.l.  
Via dell'Industria , 3 - 40043 Marzabotto (BO) - Italy  
Tel. 051 6787146 - Fax 051 6780217  
Cod. fisc. 02381050372 P. IVA 00574221206  
[www.eti-staf.com](http://www.eti-staf.com)

## **Data Sheet n°5**

CODE : **TDAZ19275TP**



**SHORT DESCRIPTION :** *T-Stopper for distillates/balsamic vinegar/olive oil use is wood head assembled. Dimensions : Plastic head D.30x8mm \* - synth. body D.19mm.*

*\* Is also possible a customization for the head dimensions.*

Our synthetic closures are produced by the technique of injection molding system. The material is elastomeric based and thanks to the addition of expanding agents, provides training the polymer matrix of cavities that mimic the typical porosity of cork .

### **Statement of compliance:**

The company E.T.I. Srl, declare that the raw materials used for the production of synthetic closures are certified by our suppliers as fit for contact with food in compliance with the regulations. The company E.T.I. S.r.l. furthermore, states that our closures are periodically checked to ensure the hygiene and microbiological regulations so as to avoid deterioration of organoleptic and chemical contamination of the product in direct contact with them. To complement this statement we enclose the relationship of physical-chemical tests performed on our production by C.S.I. Spa (Milan).